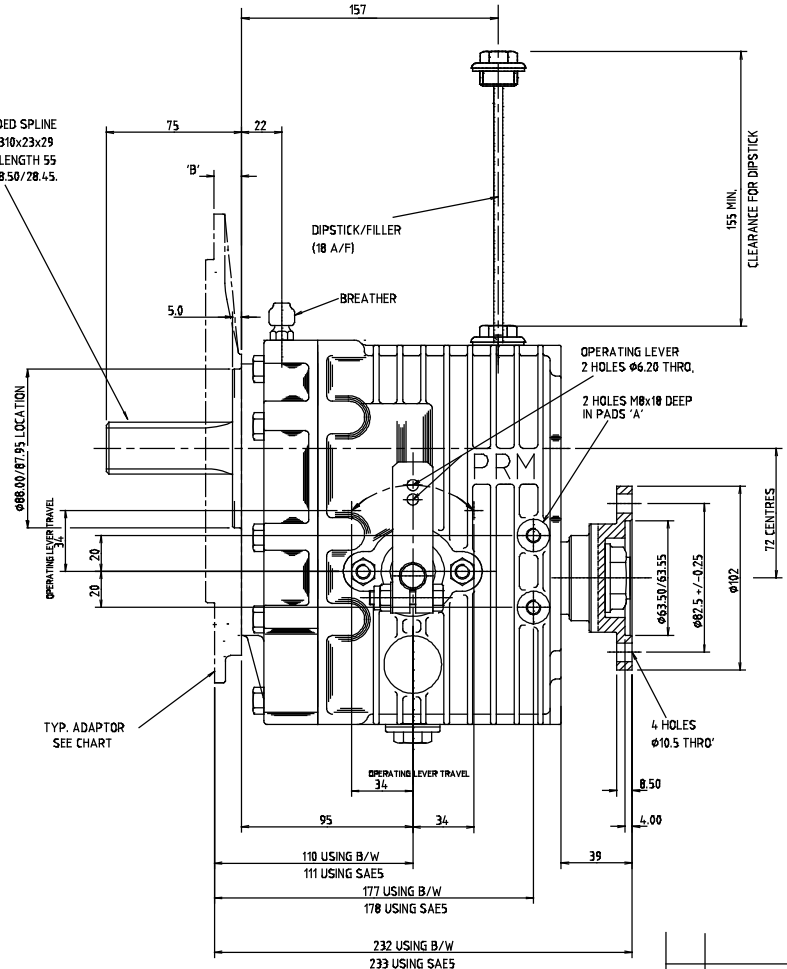
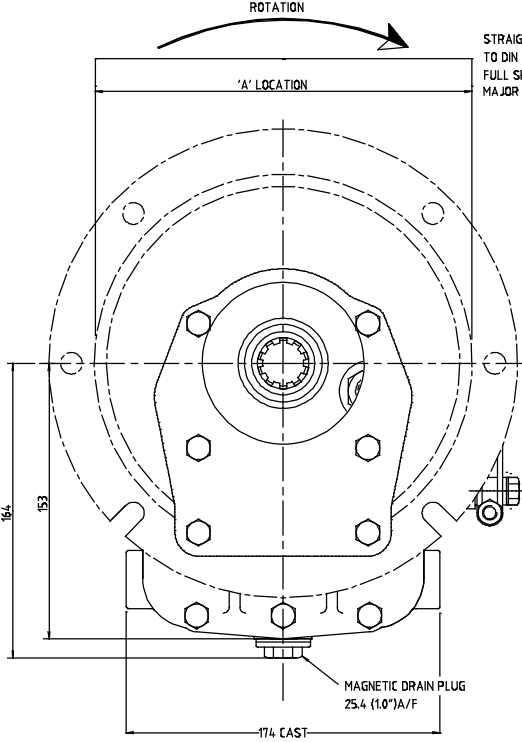
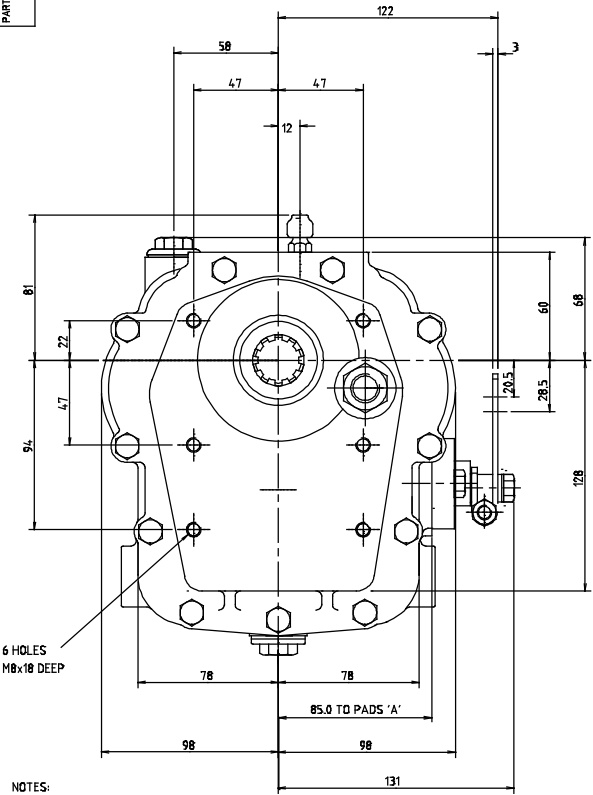


VIEW WITHOUT ADAPTOR PLATE
EXCLUDING EXTERNAL WEBS



- NOTES:
- MAXIMUM INPUT TORQUE: RATIO PLEASURE
2.94:1 80Nm(59lbf ft)
2.5:1 96Nm(71lbf ft)
2.05:1 120Nm(88lbf ft)
 - MAXIMUM INPUT POWER 45KW (60HP) FOR PLEASURE APPLICATION:
DEPENDANT ON AMBIENT TEMPERATURE.
 - MAXIMUM INPUT SPEED 5000 RPM.
 - RATING IN KW(HP)/100RPM: RATIO PLEASURE
2.94:1 0.83KW(1.1HP)
2.5:1 1.00KW(1.3HP)
2.05:1 1.25KW(1.6HP)
 - GEARBOX RATIOS:
2.94:1 FORWARD AND 2.5:1 REVERSE.
2.5:1 FORWARD AND 2.5:1 REVERSE.
2.05:1 FORWARD AND 2.5:1 REVERSE.
 - ESTIMATED DRY WEIGHT 16KG (36lbs).
 - G'BOX LUBRICATION SAE 15W/40 ENGINE OIL OR ENGINEERING APPROVED EQUIVALENT.
 - APPROX LUBRICATING OIL CAPACITY 0.8 LITRES.
 - MINIMUM LEVER TRAVEL SHOWN INDICATED.
 - CLOCKWISE ROTATION LOOKING AT G'BOX INPUT SHAFT ONLY & R.H. PROPELLER.
 - MAXIMUM OPERATING TEMPERATURE 120°C.
 - SINGLE LEVER DUAL ACTION CONTROL (IE MORSE MT3 OR SL3) MUST BE USED.
 - G'BOX MUST PAUSE IN NEUTRAL WHEN SHIFTING FROM FWD TO REV OR VICE VERSA.
 - DRAWN SCALE 1:1.

ADAPTOR PLATES AVAILABLE:

ADAPTOR	ØA	B
SAE5	314.33 (12.375")	16.0 (0.63")
B/W	209.55 (8.250")	15.0 (0.591")

DIMENSIONS ARE IN mm & (Inches).

THE INFORMATION CONTAINED ON THIS DRAWING MUST NOT BE COPIED OR LENT WITHOUT PERMISSION COPYRIGHT (c) 1998 NEWAGE TRANSMISSIONS LIMITED.	UNLESS OTHERWISE STATED; 1. ALL DIMENSIONS ARE IN mm. 2. TOLERANCES - WHOLE DIMS ±0.1mm DECIMAL DIMS ±0.25mm - ANGULAR DIMS ±0.5° 3. SURFACE FINISH 6.3 micron C.L.A.	DO NOT SCALE IF IN DOUBT ASK	PROJECTION: 	SCALE		
				1:1		
NEWAGE TRANSMISSIONS LIMITED BARLOW ROAD, COVENTRY, ENGLAND, CV2 2JG. TEL: 01203 871741 Email: design@newage-prm.co.uk	TITLE PRM120D MECHANICAL GEARBOX INSTALLATION	SHEET SIZE A0	PART No PRM120INST	DRAWN M HARRIS	SIGNED 	DATE 21/06/98
				APPROVED 	ISSUE 5	

5	Ø10.5 DIMENSION ADDED.	MOD. No. 1504.	HTD. 26/0/98
4	DRAIN PLUG WAS 18.0 A/F.	MOD. No. 1192.	HTD. 29/3/99
3	HEX. PLUGS DELETED OFF COOLER PORTS.	MOD. No. 1149.	HTD. 16/1/98
2	COOLER & L. CONVECTION RATINGS DELETED. SAES ADAPTOR ADDED.	HTD. 7/10/92	
ISSUE No	MODIFICATION		
CAD FILE No: H:\NAME\PRM120D\PRM120INST.DWG			
MATERIAL			

HEAT TREATMENT

SCALE	1:1
SHEET SIZE	A0
PART No	PRM120INST
ISSUE	5